

1 2 3 4 5 6 7 8 9

A

B

C

D

E

A

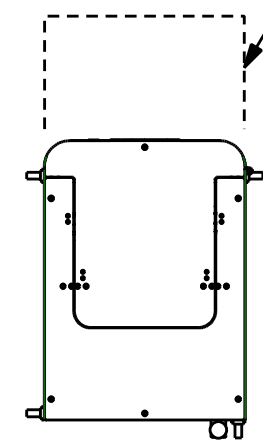
B

C

D

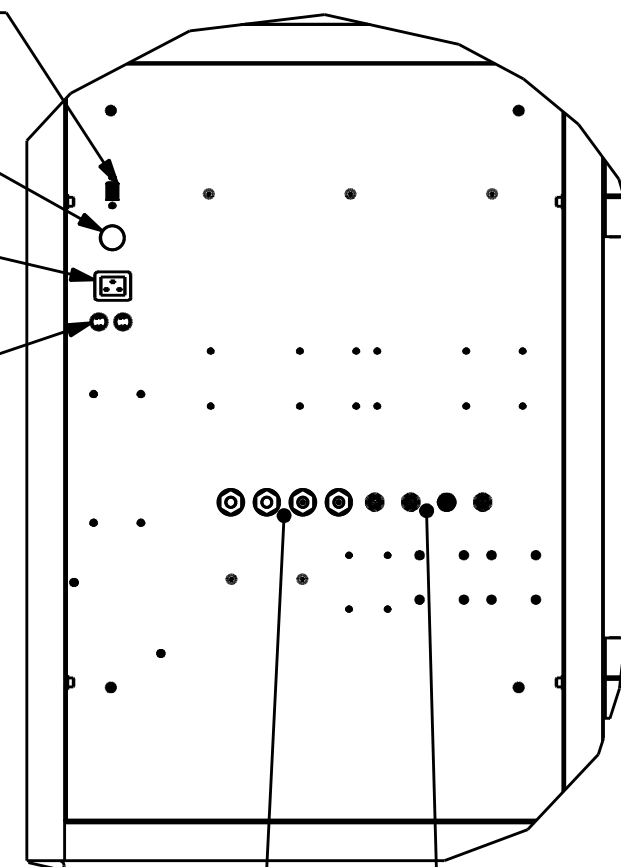
E

LOAD / UNLOAD ENVELOPE
EXTENDS 400MM FROM FRONT OF
TOOL



UTILITIES PANEL

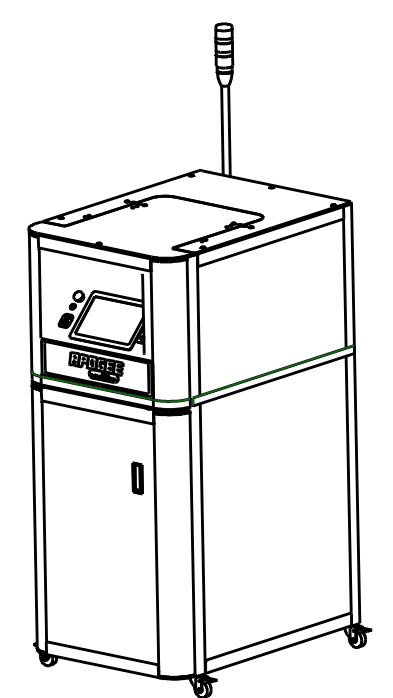
USB CONNECTION
ETHERNET CONNECTION
ELECTRICAL POWER INLET
20A - REGION SPECIFIC
CORD SUPPLIED
ELECTRICAL FUSES



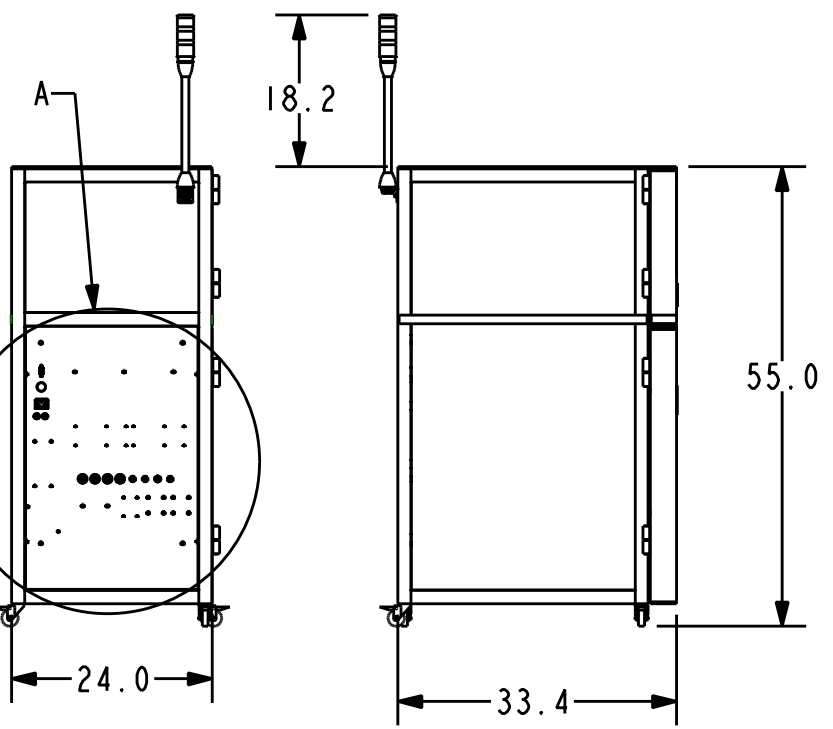
MACHINE
INSTALLATION
REQUIREMENTS

POWER CORD (SUPPLIED)
WITH C19 STRAIGHT
CONNECTOR

LOCKOUT / TAGOUT
DEVICES ARE NOT
SUPPLIED AND MUST BE
INSTALLED AT
THE ELECTRICAL SUPPLY.
VACUUM SUPPLY AND
NITROGEN SUPPLY TO
COMPLY WITH CE MARK
REQUIREMENTS (IF
NECESSARY).



SEE DETAIL



PNEUMATIC /
VACUUM
CONNECTIONS
1/4" NPT
TAPERED THREAD
ACCESSORY
CONNECTIONS
M12 CIRCULAR
METRIC CONNECTORS

REQUIRED UTILITIES

NITROGEN:
482.6 kPa, (70PSI)
0.50 L/MIN.
1/4" NPT TAPERED THREAD
VACUUM:
20 kPa ULTIMATE VACUUM
20 L/MIN.
1/4" NPT TAPERED THREAD

ELECTRICAL:
110-125VAC
-OR-
208-240VAC
SINGLE PHASE
50/60 HZ
350 WATTS MAX

FOOTPRINT DIMENSIONS:

24.0" (609.6 mm) WIDE
55.0" (1397.0 mm) TALL
33.4" (848.4 mm) DEEP

STATUS TREE ADDS 18.2"
(462.3 mm) TO THE
MACHINE HEIGHT

A	X	X	INITIAL RELEASE
LTR	ECO	DATE	ENGR DESCRIPTION
REVISION INFORMATION			

DO NOT SCALE DRAWING	THIRD ANGLE PROJECTION	DESIGN ENGINEER	-	
ASME Y14.5 USED AS REFERENCE FOR ALL GD & T ALL DIMENSIONS ARE BASIC UNLESS OTHERWISE NOTED.		DRAWN	J. STROTHMANN	
LIMITS ON DECIMAL DIMENSIONS .XX = ±.015 .XXX = ±.005 .XXX = ±.0005		APPROVED	-	
THESE DRAWINGS/SPECIFICATIONS ARE THE EXCLUSIVE PROPERTY OF COST EFFECTIVE EQUIPMENT LLC. THEY SHALL NOT BE REPRODUCED OR COMMUNICATED TO OTHERS, IN WHOLE OR IN PART, NOR BE USED AS A BASIS FOR MANUFACTURE OR SALE OF THE ITEMS REPRESENTED, WITHOUT THE WRITTEN PERMISSION OF COST EFFECTIVE EQUIPMENT LLC.		DATE	5/26/2017	
		MATERIAL	-	
		FINISH	-	
		TITLE	APOGEE MECHANICAL DEBONDER UTILITIES	
		REV	-	
		PART NO.	-	
		SHEET	1 OF 1	

