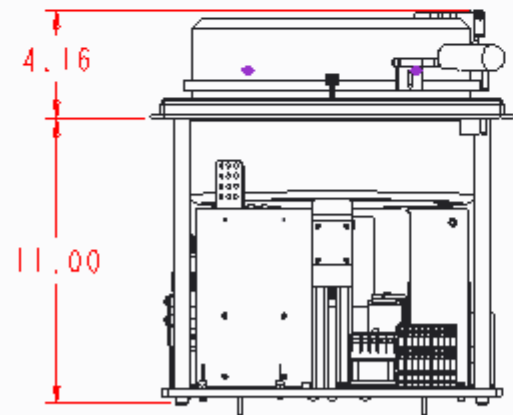
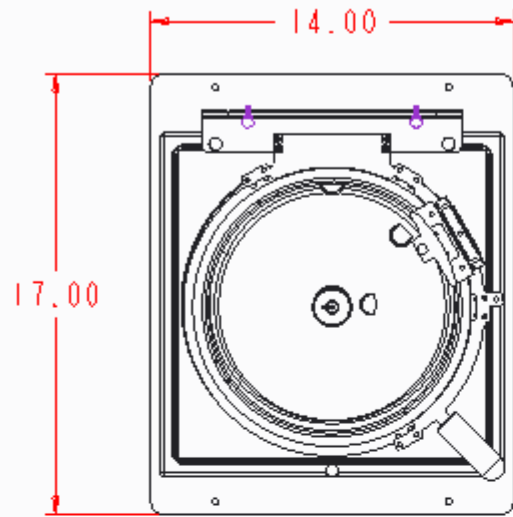


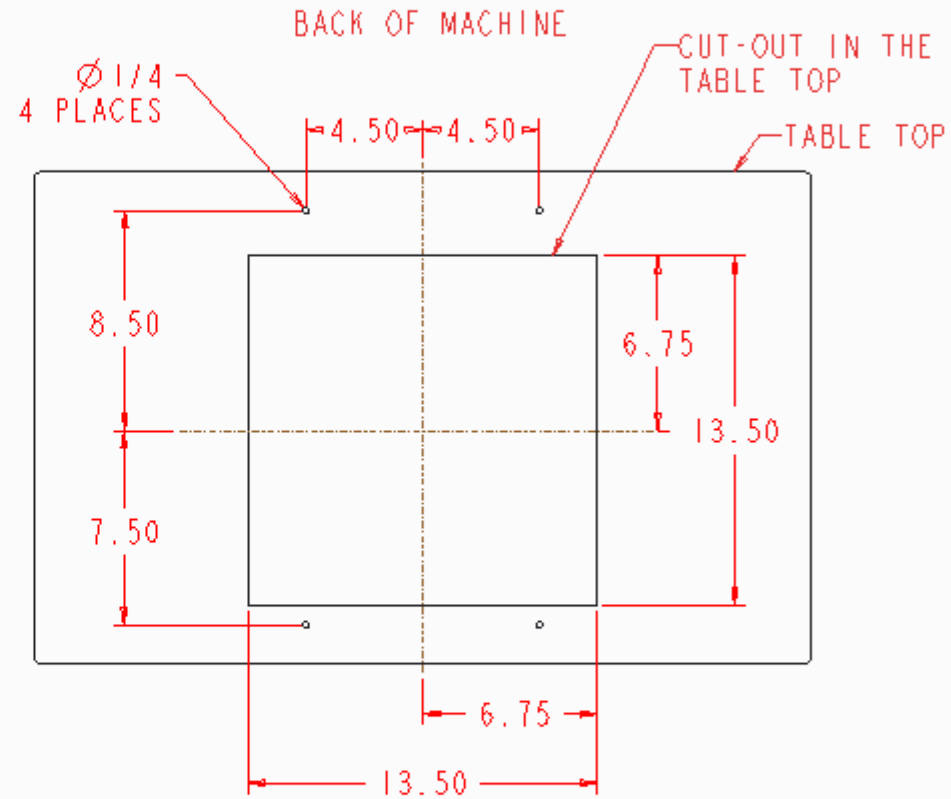
Apogee Developer Flange Mount Option

MACHINE FLANGE DIMENSIONS



MACHINE DEPTH

TABLE TOP CUT-OUT AND MOUNTING HOLES

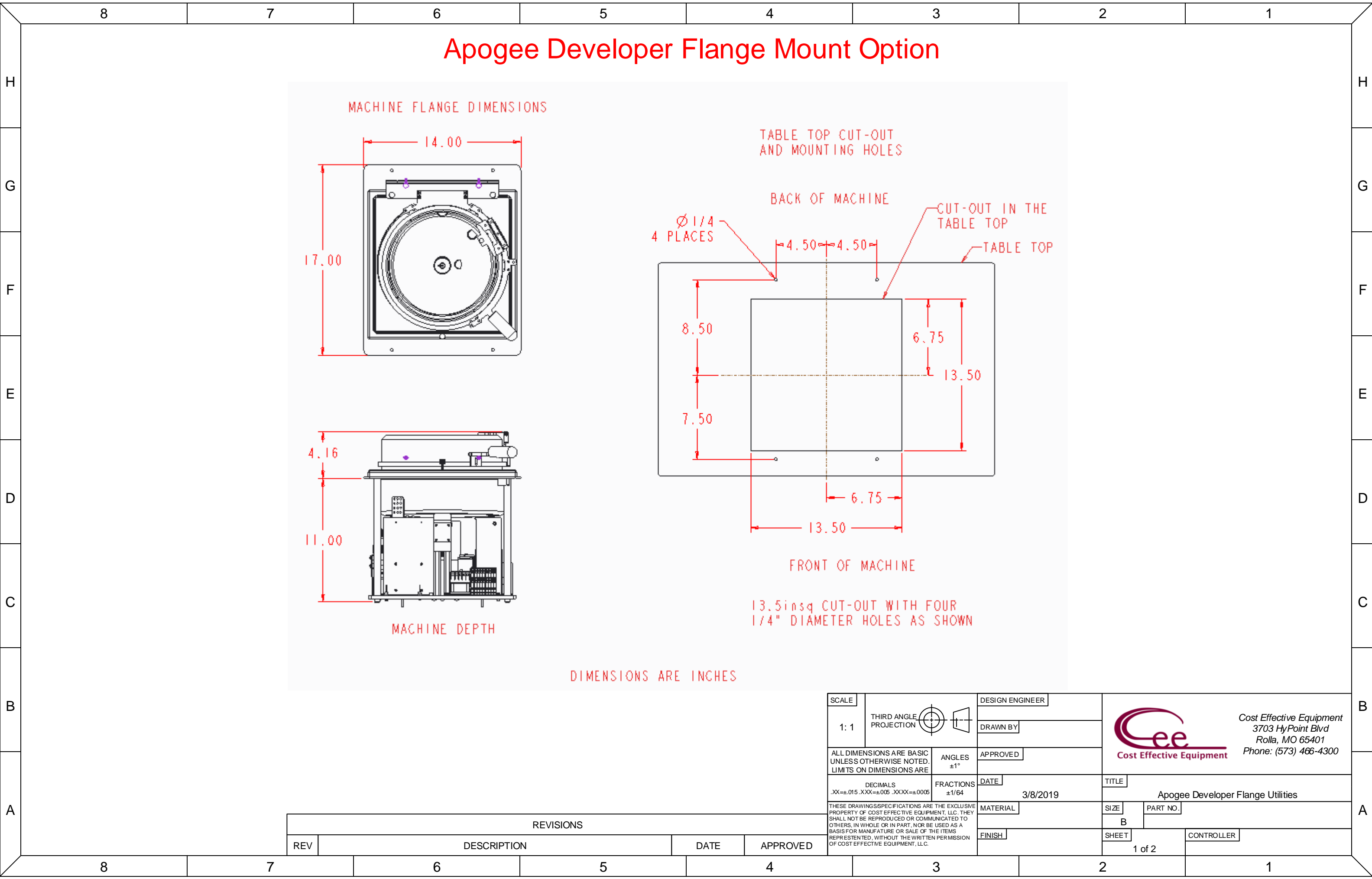


FRONT OF MACHINE

13.5insq CUT-OUT WITH FOUR 1/4" DIAMETER HOLES AS SHOWN

DIMENSIONS ARE INCHES

SCALE 1:1	THIRD ANGLE PROJECTION	DESIGN ENGINEER	 <i>Cost Effective Equipment</i> 3703 HyPoint Blvd Rolla, MO 65401 Phone: (573) 466-4300
ALL DIMENSIONS ARE BASIC UNLESS OTHERWISE NOTED. LIMITS ON DIMENSIONS ARE		DRAWN BY	
ANGLES ±1° DECIMALS .XX±.015 .XXX±.005 .XXXX±.0005 FRACTIONS ±1/64		APPROVED	TITLE Apogee Developer Flange Utilities
THESE DRAWINGS/SPECIFICATIONS ARE THE EXCLUSIVE PROPERTY OF COST EFFECTIVE EQUIPMENT, LLC. THEY SHALL NOT BE REPRODUCED OR COMMUNICATED TO OTHERS, IN WHOLE OR IN PART, NOR BE USED AS A BASIS FOR MANUFACTURE OR SALE OF THE ITEMS REPRESENTED, WITHOUT THE WRITTEN PERMISSION OF COST EFFECTIVE EQUIPMENT, LLC.		DATE 3/8/2019	SIZE B
REVISIONS		MATERIAL	PART NO.
REV	DESCRIPTION	FINISH	SHEET 1 of 2
	DATE		CONTROLLER
	APPROVED		

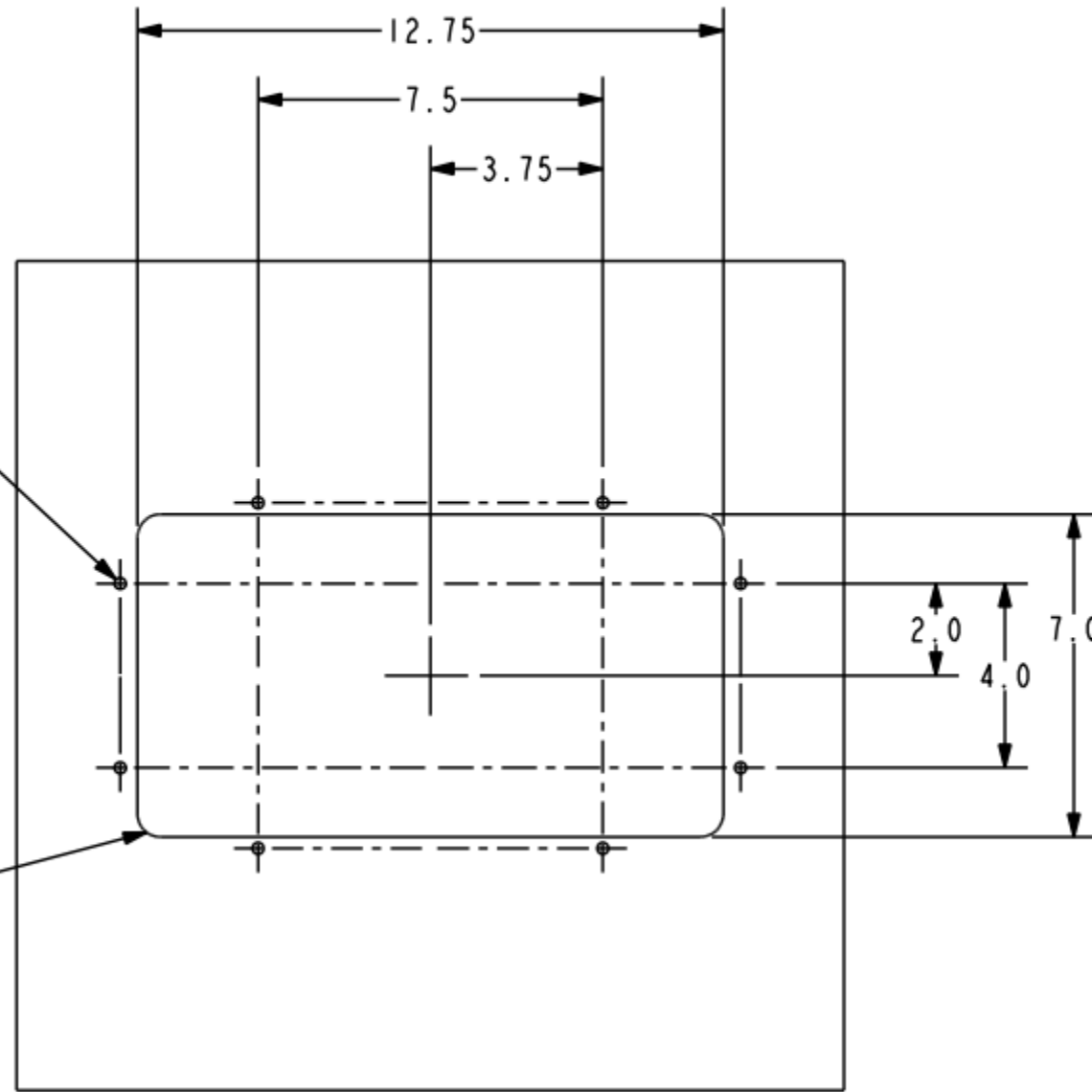


APOGEE FLANGE MOUNT CONTROL CONSOLE
MOUNTING PANEL CUTOUT DIMENSIONS

HOLE PATTERN AND CUTOUT ARE SYMMETRIC

CONTROL FLANGE SUPPLIED
WITH $\varnothing 1/4"$ (6MM) HOLES
8 PLACES

A 1/2" CORNER RADIUS
(12MM) MAX. IS PERMISSIBLE
BUT NOT REQUIRED
4 PLACES



SCALE 1:1	THIRD ANGLE PROJECTION	DESIGN ENGINEER	 Cost Effective Equipment 3703 HyPoint Blvd Rolla, MO 65401 Phone: (573) 466-4300								
ALL DIMENSIONS ARE BASIC UNLESS OTHERWISE NOTED. LIMITS ON DIMENSIONS ARE		DRAWN BY									
DECIMALS .XX=±.015 .XXX=±.005 .XXXX=±.0005 FRACTIONS ±1/64		APPROVED	TITLE Apogee Developer Flange Utilities								
THESE DRAWINGS/SPECIFICATIONS ARE THE EXCLUSIVE PROPERTY OF COST EFFECTIVE EQUIPMENT, LLC. THEY SHALL NOT BE REPRODUCED OR COMMUNICATED TO OTHERS, IN WHOLE OR IN PART, NOR BE USED AS A BASIS FOR MANUFACTURE OR SALE OF THE ITEMS REPRESENTED, WITHOUT THE WRITTEN PERMISSION OF COST EFFECTIVE EQUIPMENT, LLC.		DATE 3/8/2019	SIZE B								
REVISIONS <table border="1"> <thead> <tr> <th>REV</th> <th>DESCRIPTION</th> <th>DATE</th> <th>APPROVED</th> </tr> </thead> <tbody> <tr> <td> </td> <td> </td> <td> </td> <td> </td> </tr> </tbody> </table>		REV	DESCRIPTION	DATE	APPROVED					MATERIAL	PART NO.
REV	DESCRIPTION	DATE	APPROVED								
		FINISH	SHEET 2 of 2								
			CONTROLLER								