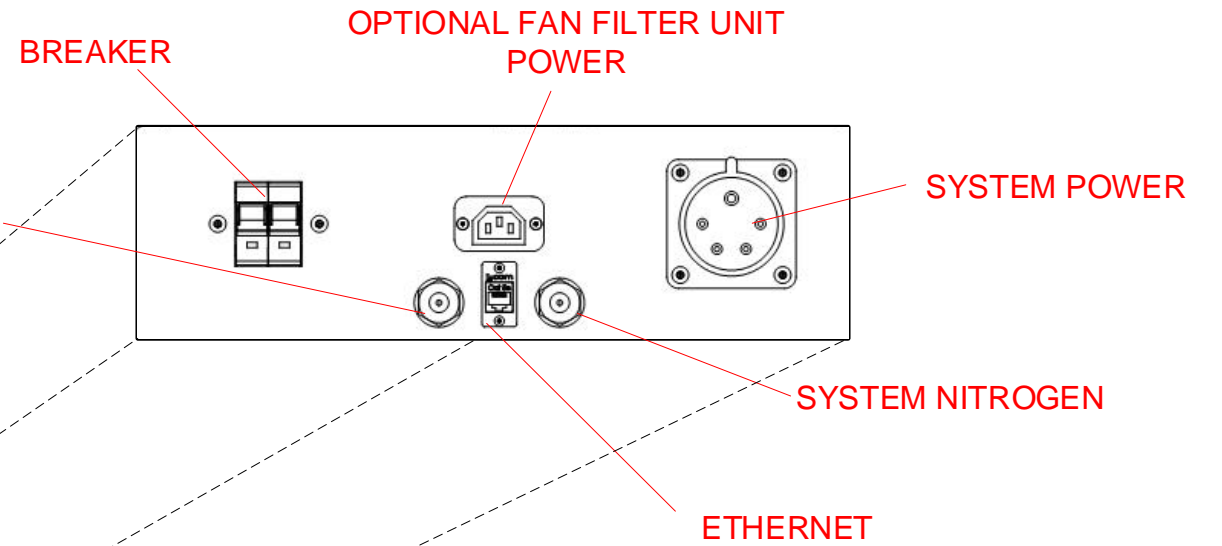
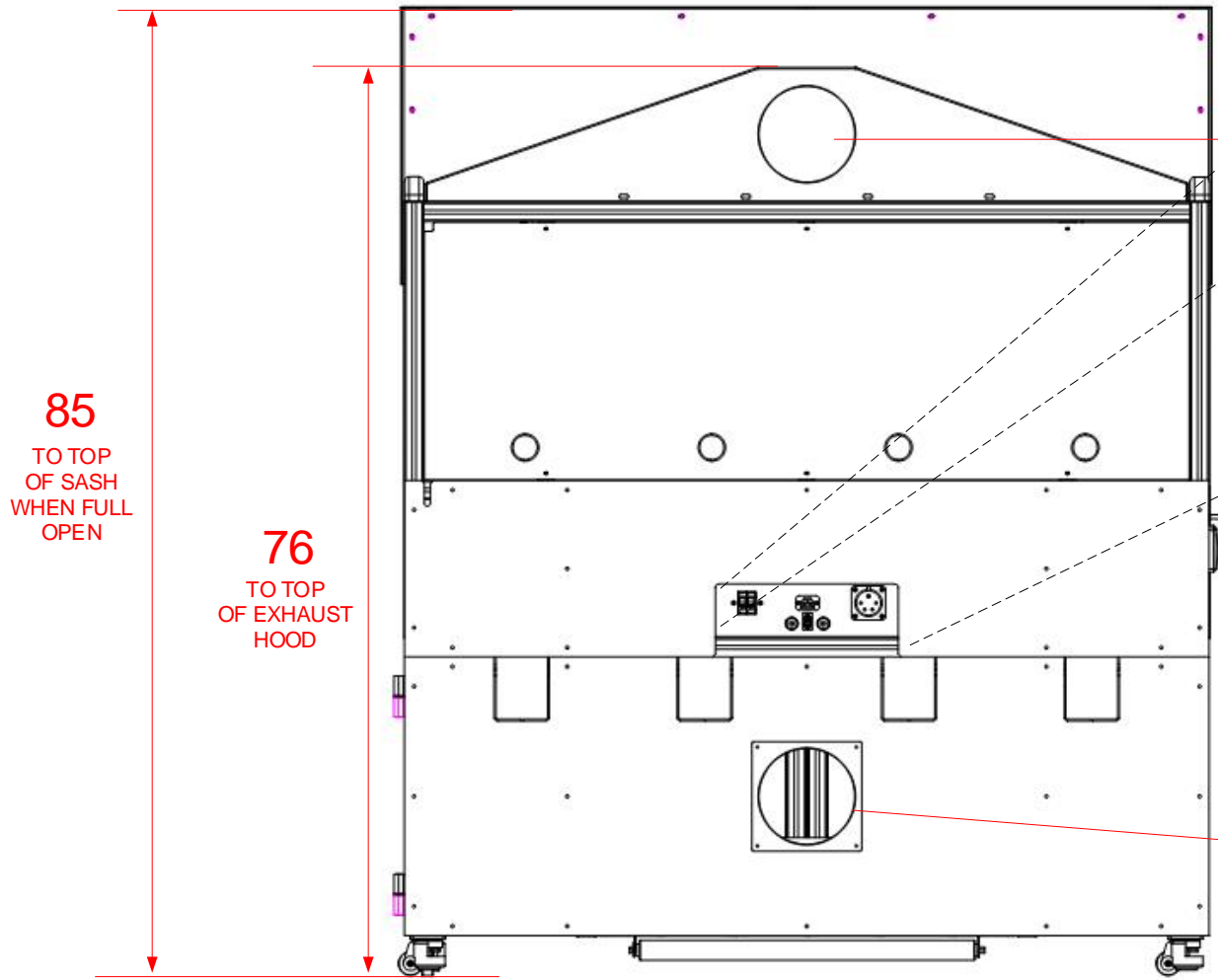
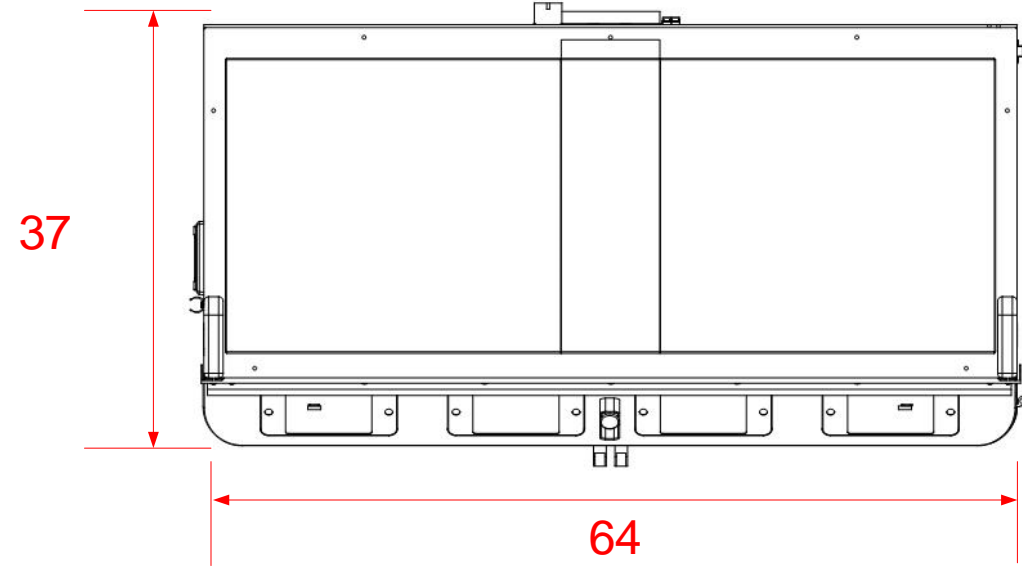


DIMENSIONS ARE INCHES

X-PRO II



Required Utilities:

Power Requirements: 208-240VAC


70psi Nitrogen: 1/4" Female Pipe Thread

20 Hg Vacuum: 1/4" Female pipe Thread

Hood Exhaust - 8" OD tube (540cfm)

Cabinet Exhaust - 8" OD tube (20-50cfm)

8" OD EXHAUST PORT

SCALE 1:1	THIRD ANGLE PROJECTION	DESIGN ENGINEER	 Cost Effective Equipment 3703 HyPoint Blvd Rolla, MO 65401 Phone: (573) 466-4300
ALL DIMENSIONS ARE BASIC UNLESS OTHERWISE NOTED. LIMITS ON DIMENSIONS ARE		DRAWN BY	
DECIMALS .XX=±.015 .XXX=±.005 .XXXX=±.0005	ANGLES ±1°	APPROVED	TITLE X-Pro II
THESE DRAWINGS/SPECIFICATIONS ARE THE EXCLUSIVE PROPERTY OF COST EFFECTIVE EQUIPMENT, LLC. THEY SHALL NOT BE REPRODUCED OR COMMUNICATED TO OTHERS, IN WHOLE OR IN PART, NOR BE USED AS A BASIS FOR MANUFACTURE OR SALE OF THE ITEMS REPRESENTED, WITHOUT THE WRITTEN PERMISSION OF COST EFFECTIVE EQUIPMENT, LLC.		DATE 3/8/2019	SIZE B
REV	DESCRIPTION	MATERIAL	PART NO.
		FINISH	SHEET 1 of 3
			CONTROLLER

REV	DESCRIPTION	DATE	APPROVED

DIMENSIONS ARE INCHES

X-PRO II WITH CART


CART DEPTH 8.000

12.6 34.0 12.6

CART WIDTH

67

20.5

SCALE 1:1	THIRD ANGLE PROJECTION	DESIGN ENGINEER	 <p>Cost Effective Equipment 3703 HyPoint Blvd Rolla, MO 65401 Phone: (573) 466-4300</p>
<small>ALL DIMENSIONS ARE BASIC UNLESS OTHERWISE NOTED. LIMITS ON DIMENSIONS ARE</small> DECIMALS .XX=±.015 .XXX=±.005 .XXXX=±.0005 FRACTIONS ±1/64		DRAWN BY	
<small>THESE DRAWINGS/SPECIFICATIONS ARE THE EXCLUSIVE PROPERTY OF COST EFFECTIVE EQUIPMENT, LLC. THEY SHALL NOT BE REPRODUCED OR COMMUNICATED TO OTHERS, IN WHOLE OR IN PART, NOR BE USED AS A BASIS FOR MANUFACTURE OR SALE OF THE ITEMS REPRESENTED, WITHOUT THE WRITTEN PERMISSION OF COST EFFECTIVE EQUIPMENT, LLC.</small>		APPROVED	TITLE X-Pro II
		DATE 3/8/2019	SIZE B
		MATERIAL	PART NO.
		FINISH	SHEET 2 of 3
			CONTROLLER

REVISIONS				
REV	DESCRIPTION	DATE	APPROVED	

8

7

6

5

4

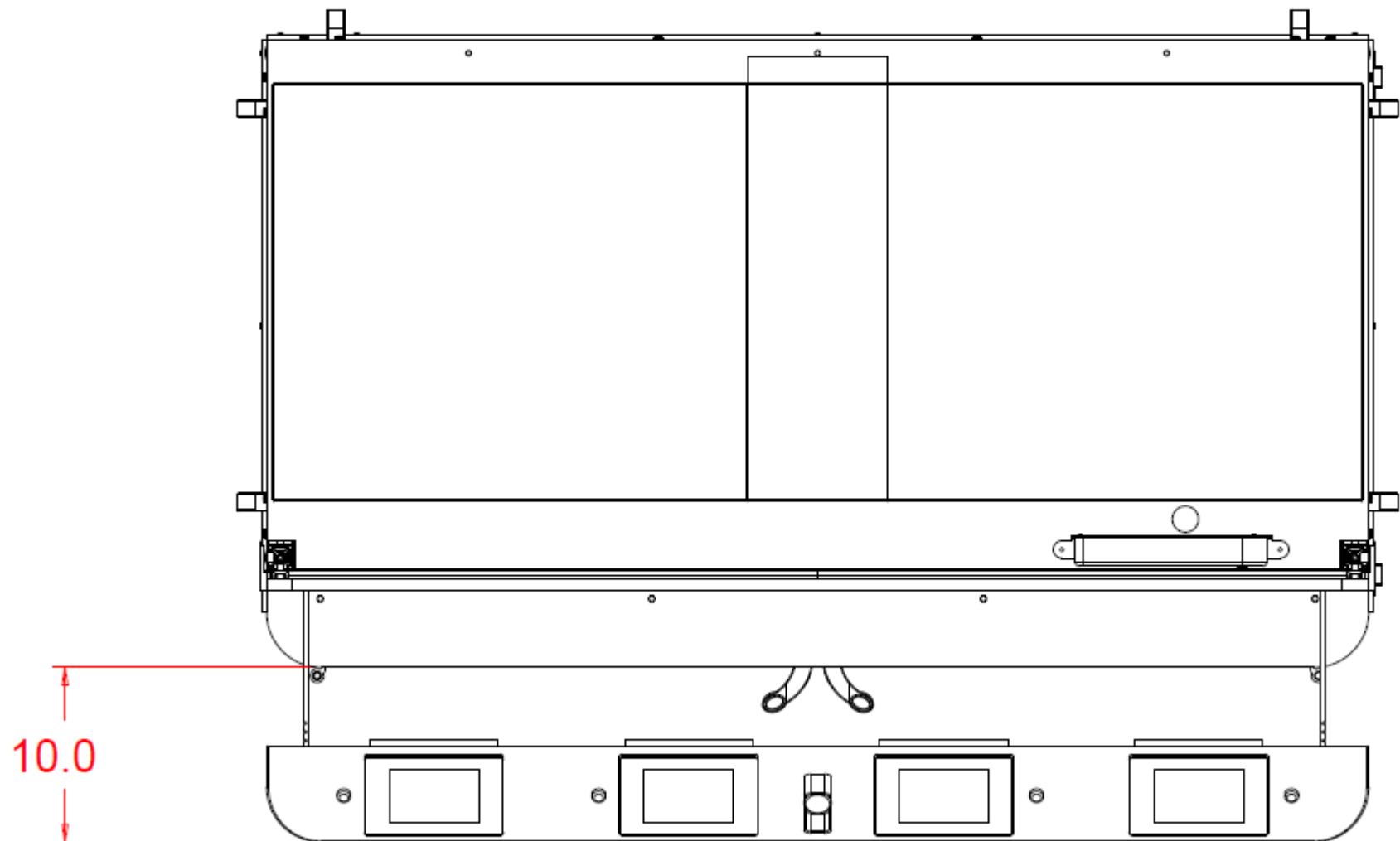
3

2

1

DIMENSIONS ARE INCHES

X-PRO II WITH FRONT PANEL PULLED OUT



10.0

SCALE 1:1	THIRD ANGLE PROJECTION	DESIGN ENGINEER	 Cost Effective Equipment 3703 HyPoint Blvd Rolla, MO 65401 Phone: (573) 466-4300								
ALL DIMENSIONS ARE BASIC UNLESS OTHERWISE NOTED. LIMITS ON DIMENSIONS ARE		DRAWN BY									
DECIMALS .XX=±.015 .XXX=±.005 .XXX=±.0005 FRACTIONS ±1/64		APPROVED	TITLE X-Pro II								
THESE DRAWINGS/SPECIFICATIONS ARE THE EXCLUSIVE PROPERTY OF COST EFFECTIVE EQUIPMENT, LLC. THEY SHALL NOT BE REPRODUCED OR COMMUNICATED TO OTHERS, IN WHOLE OR IN PART, NOR BE USED AS A BASIS FOR MANUFACTURE OR SALE OF THE ITEMS REPRESENTED, WITHOUT THE WRITTEN PERMISSION OF COST EFFECTIVE EQUIPMENT, LLC.		DATE 3/8/2019	SIZE B								
REVISIONS <table border="1"> <thead> <tr> <th>REV</th> <th>DESCRIPTION</th> <th>DATE</th> <th>APPROVED</th> </tr> </thead> <tbody> <tr> <td> </td> <td> </td> <td> </td> <td> </td> </tr> </tbody> </table>		REV	DESCRIPTION	DATE	APPROVED					MATERIAL	PART NO.
REV	DESCRIPTION	DATE	APPROVED								
		FINISH	SHEET 3 of 3								
			CONTROLLER								

8

7

6

5

4

3

2

1

H

G

F

E

D

C

B

A

H

G

F

E

D

C

B

A