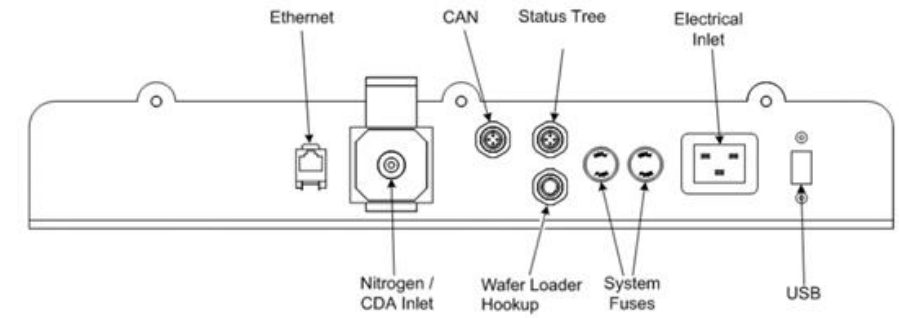
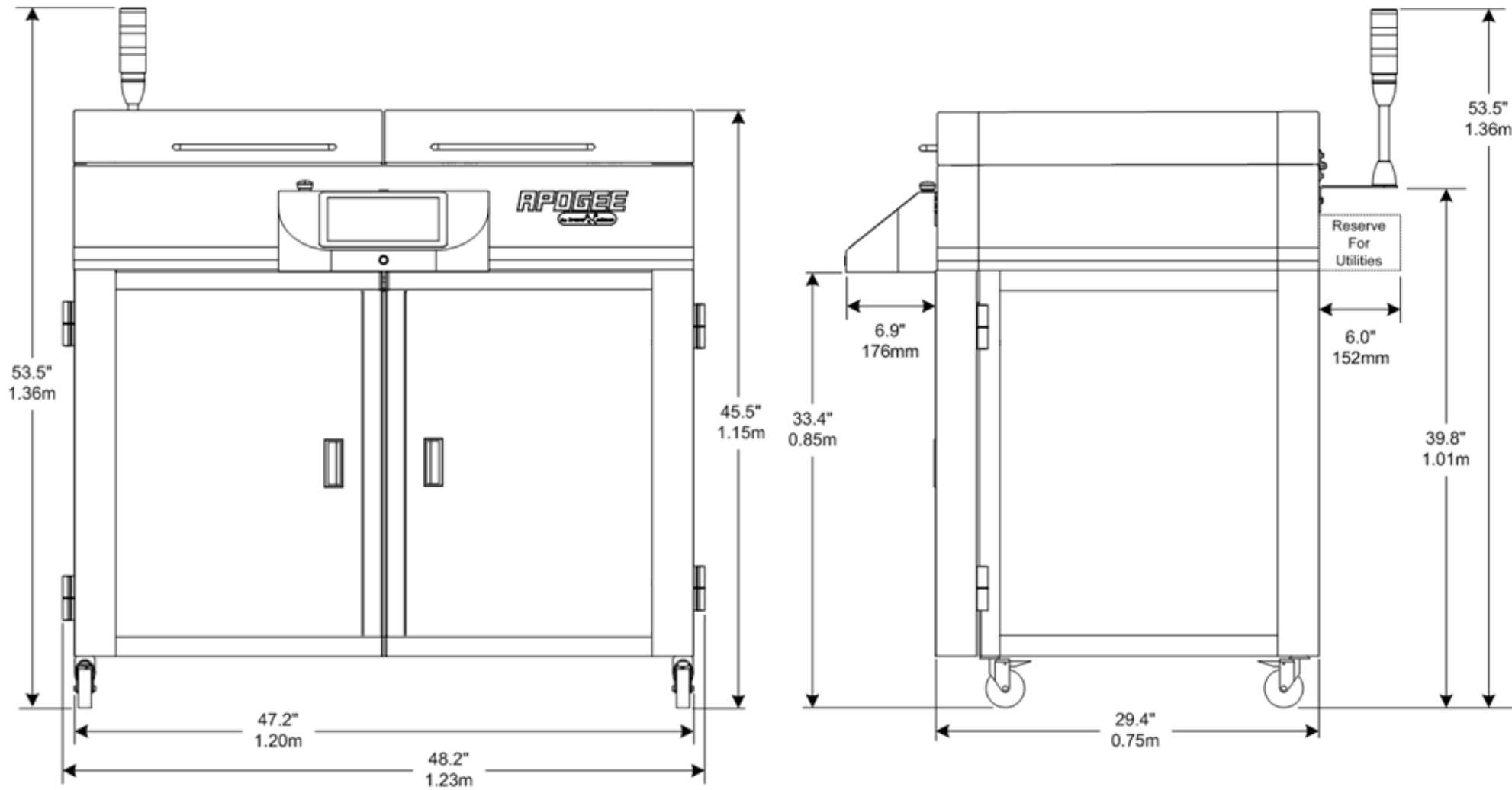


# Apogee Bonder Utilities




**Required Utilities:**

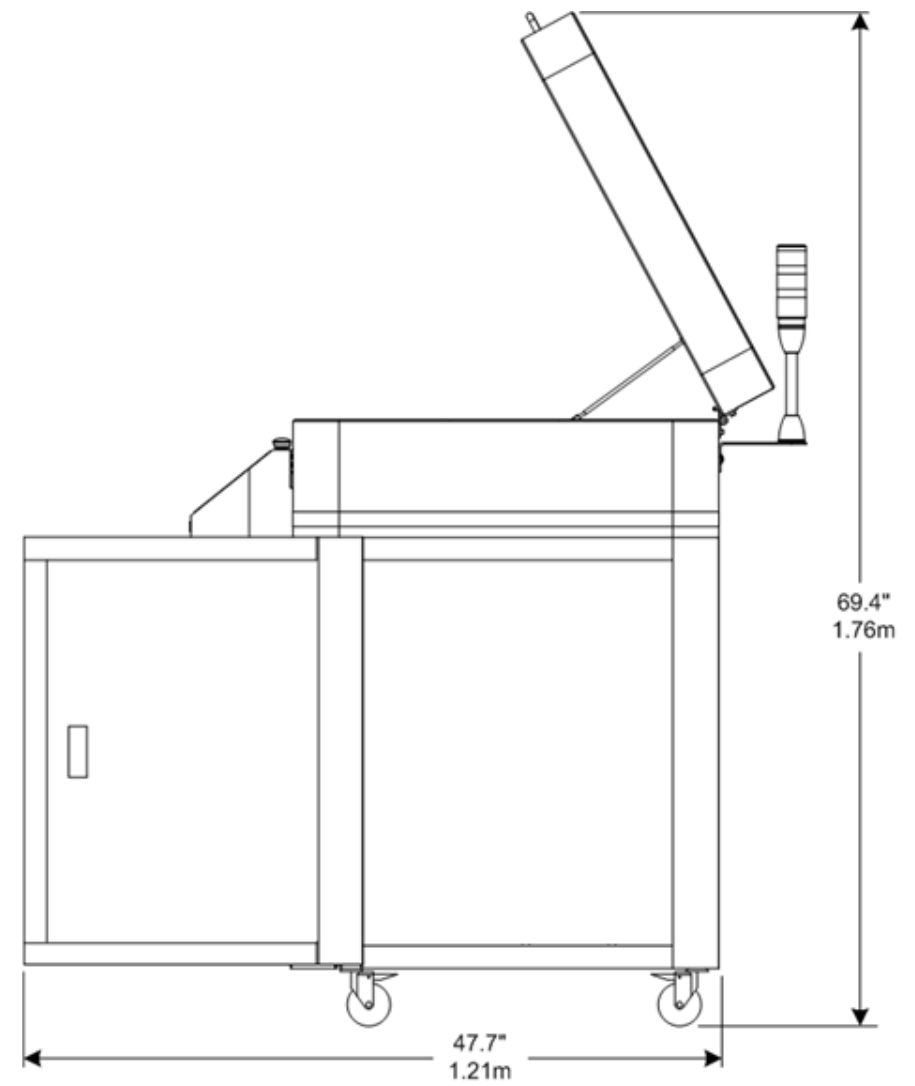
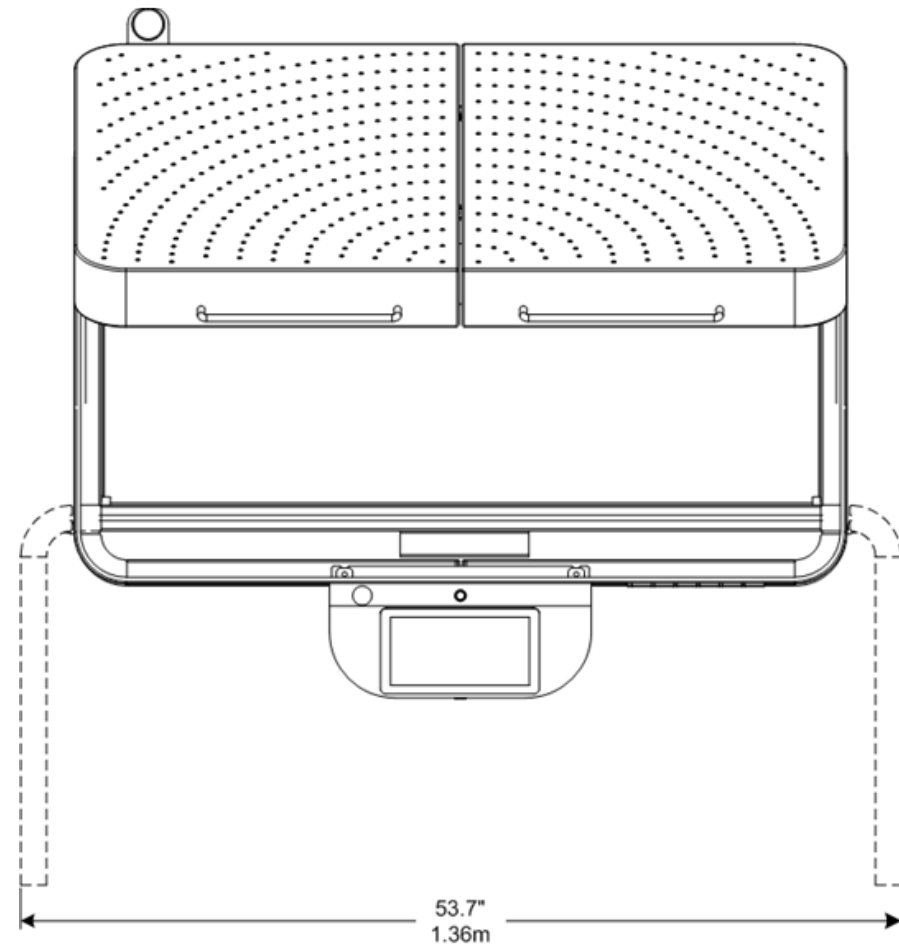
**Electrical Requirements:**  
 100-120VAC, 10A NEMA 5-15 plug (vacuum pump)  
 208-240VAC, 20A NEMA 6-20 (Bonder)

**Nitrogen:** 50 psi (344.7 kPa), 0.2 cfm (0.5 liter/min), 1/4" Female pipe thread

**Ethernet network connection:** RJ-45 (optional)

SCALE	THIRD ANGLE PROJECTION	DESIGN ENGINEER	 Cost Effective Equipment 3703 HyPoint Blvd Rolla, MO 65401 Phone: (573) 466-4300
1:1		DRAWN BY	
ALL DIMENSIONS ARE BASIC UNLESS OTHERWISE NOTED. LIMITS ON DIMENSIONS ARE	ANGLES ±1°	APPROVED	
DECIMALS .XX±.015 .XXX±.005 .XXXX±.0005	FRACTIONS ±1/64	DATE	TITLE
THESE DRAWINGS/SPECIFICATIONS ARE THE EXCLUSIVE PROPERTY OF COST EFFECTIVE EQUIPMENT, LLC. THEY SHALL NOT BE REPRODUCED OR COMMUNICATED TO OTHERS, IN WHOLE OR IN PART, NOR BE USED AS A BASIS FOR MANUFACTURE OR SALE OF THE ITEMS REPRESENTED, WITHOUT THE WRITTEN PERMISSION OF COST EFFECTIVE EQUIPMENT, LLC.		3/21/2019	Apogee Bonder Utilities
REVISIONS		MATERIAL	SIZE B
REV	DESCRIPTION	DATE	PART NO.
		APPROVED	SHEET 1 of 2
			CONTROLLER

# Dimensions with Doors and Lids Open



SCALE	1: 1	THIRD ANGLE PROJECTION	DESIGN ENGINEER	 Cost Effective Equipment 3703 HyPoint Blvd Rolla, MO 65401 Phone: (573) 466-4300
ALL DIMENSIONS ARE BASIC UNLESS OTHERWISE NOTED. LIMITS ON DIMENSIONS ARE		ANGLES ±1°	DRAWN BY	
DECIMALS .XX=±.015 .XXX=±.005 .XXXX=±.0005		FRACTIONS ±1/64	APPROVED	TITLE
THESE DRAWINGS/SPECIFICATIONS ARE THE EXCLUSIVE PROPERTY OF COST EFFECTIVE EQUIPMENT, LLC. THEY SHALL NOT BE REPRODUCED OR COMMUNICATED TO OTHERS, IN WHOLE OR IN PART, NOR BE USED AS A BASIS FOR MANUFACTURE OR SALE OF THE ITEMS REPRESENTED, WITHOUT THE WRITTEN PERMISSION OF COST EFFECTIVE EQUIPMENT, LLC.		DATE	3/21/2019	Apogee Bonder Utilities
REVISIONS		MATERIAL	FINISH	SIZE
REV	DESCRIPTION	DATE	APPROVED	B
				SHEET
				2 of 2
				CONTROLLER

