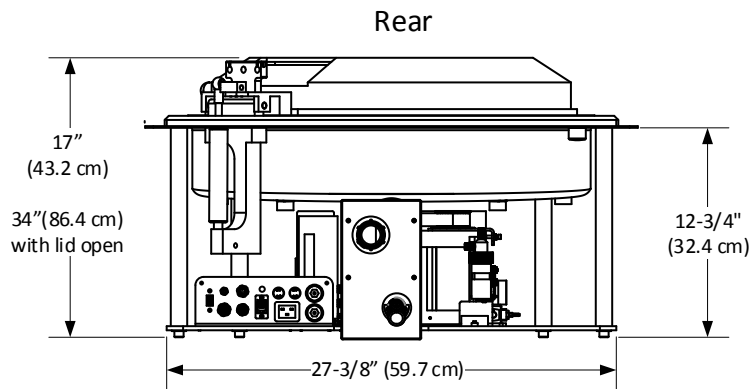
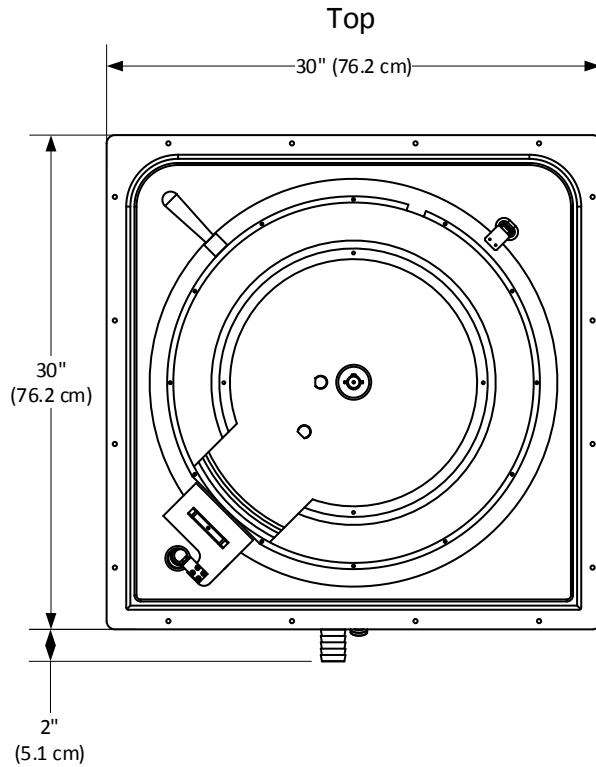
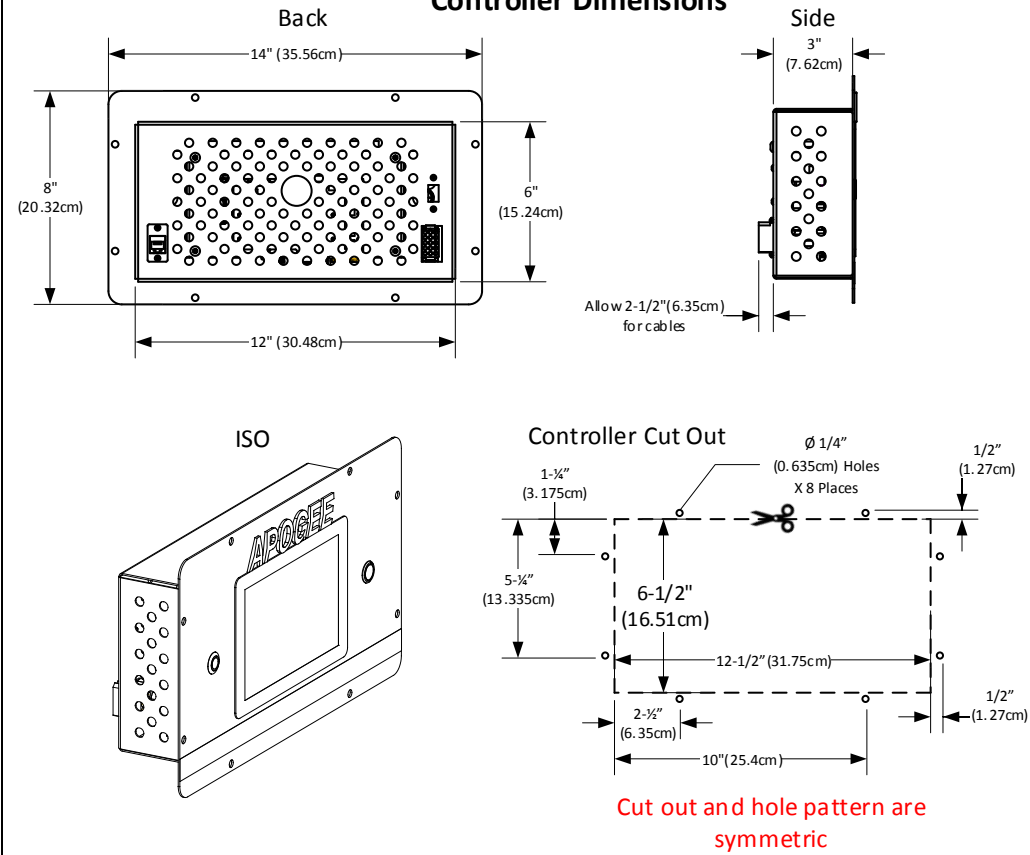


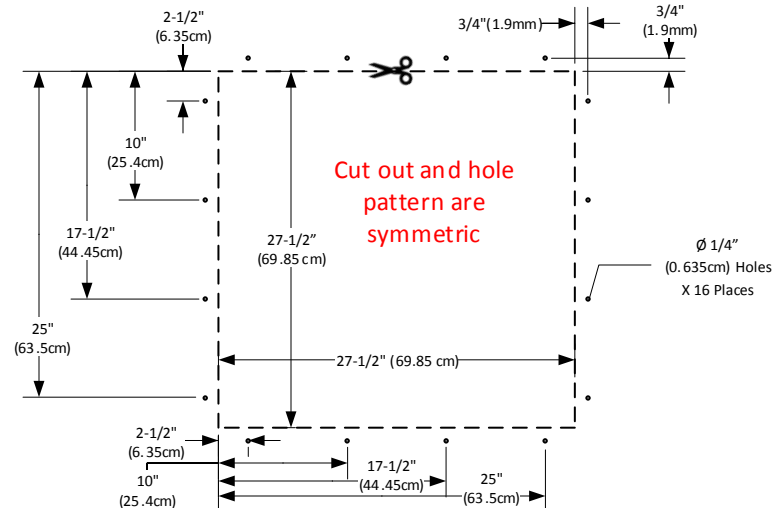
Note: Dimensions are for standard equipment and may vary with added accessories.



Controller Dimensions



Flange Cut Out



Cost Effective Equipment
3703 HyPoint Blvd
Rolla, MO 65401
Phone: (573) 466-4300



Apogee 450 Developer Flange Mount Cut Sheet

Published 10/23/2019 - Rev A

THESE DRAWINGS/SPECIFICATIONS ARE THE EXCLUSIVE PROPERTY OF COST EFFECTIVE EQUIPMENT, LLC. THEY SHALL NOT BE REPRODUCED OR COMMUNICATED TO OTHERS, IN WHOLE OR IN PART, NOR BE USED AS A BASIS FOR MANUFACTURE OR SALE OF THE ITEMS REPRESENTED, WITHOUT THE WRITTEN PERMISSION OF COST EFFECTIVE EQUIPMENT, LLC.