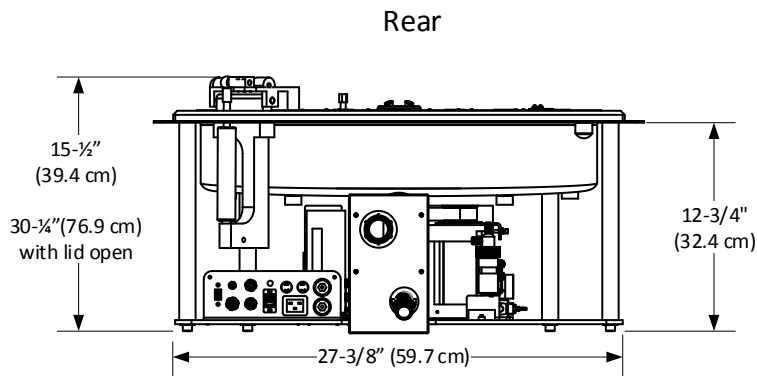
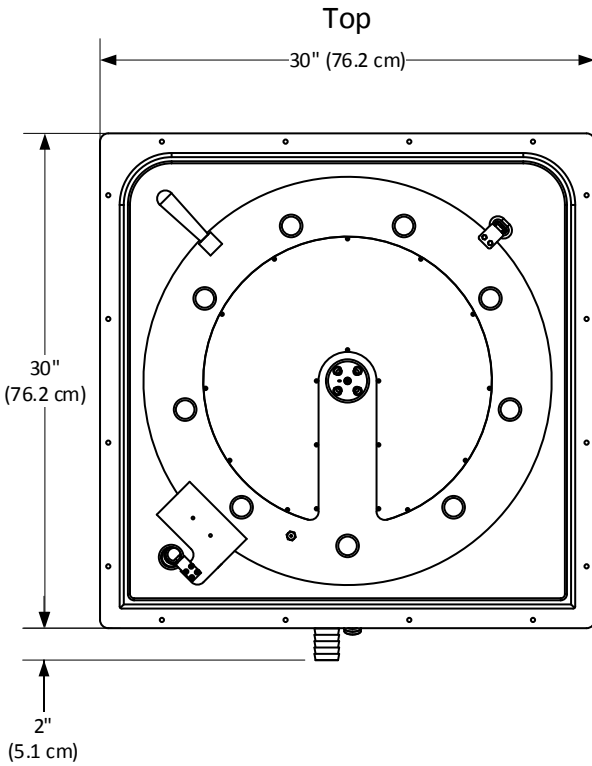
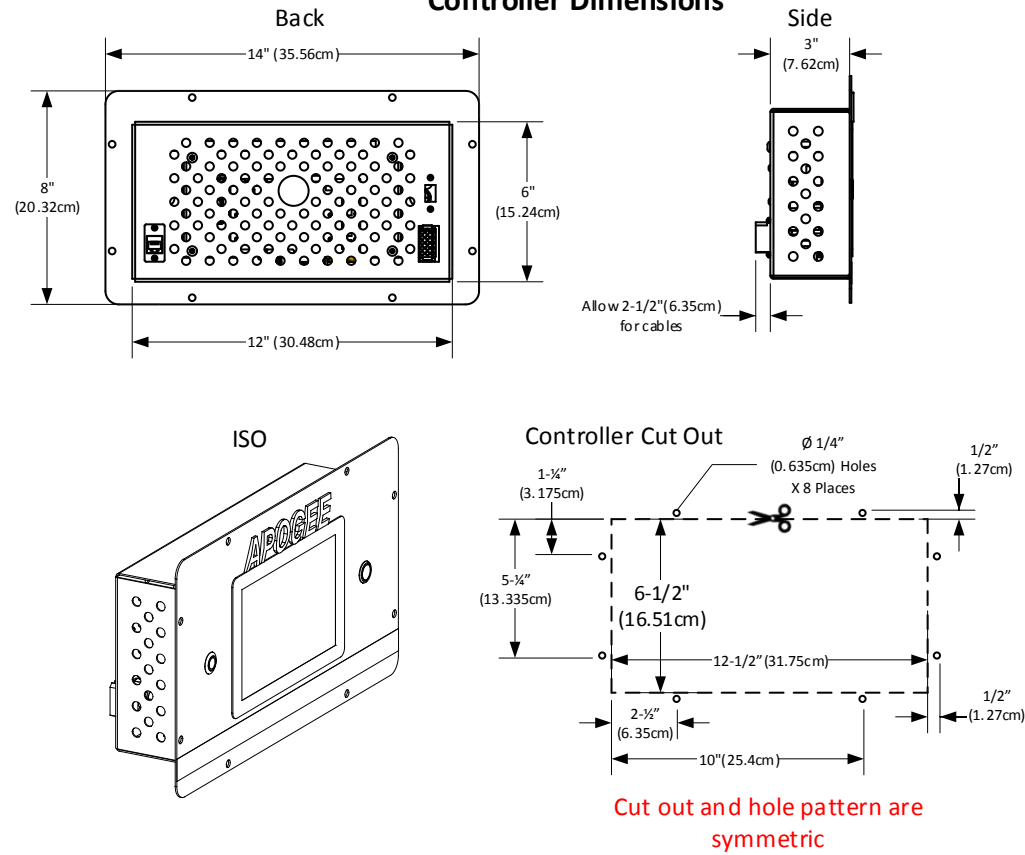


Note: Dimensions are for standard equipment and may vary with added accessories.



Controller Dimensions



Flange Cut Out

